



in association with



Inspired by Scandinavia



TDC1485VI.S

Vented Tumble Dryer



Kg Load



Butterfly Drying™



Sensi Dry™



WiFi for
ConnectLife



Prepared connection to
external payment systems



mins
Normal Dry

Quick Overview

- Load capacity: 8kg; Drum size: 145L
- Finish: Touch Proof™ Stainless steel
- 17 auto programmes
- Sensor-controlled auto programmes stop drying when clothes are dry
- TFT display and interface on local language (25 languages)
- Connection: 400V / 3ph / 16A / 50Hz / 5kW
- Electrical reconfiguration: Yes, 230V / 1ph / 16A / 3kW
- Vented dryer
- WiFi for ConnectLife: Yes
- Prepared for payment systems (coin / card and AIRwallet): Yes
- Tested over 30,000 cycles



Construction

Loading position: Front-operated

Capacity: 8kg

Drum volume: 145L

Door opening: Reversible

Door diameter: 34cm

Heating system: Electric heater

Electrics

Connection power: 4,600W

Fuse: 16A

Electrical connection: 400V

Frequency: 50Hz

Length of power cable: 2.1m

Features

Humidity sensor: Standard

Delayed start: 30 minutes to 24 hours

Drying phase indicator: Standard

Full tank indicator: Standard

End of programme indicator: Standard

Filter system: Standard

Overheating protection: Thermal and electronic motor

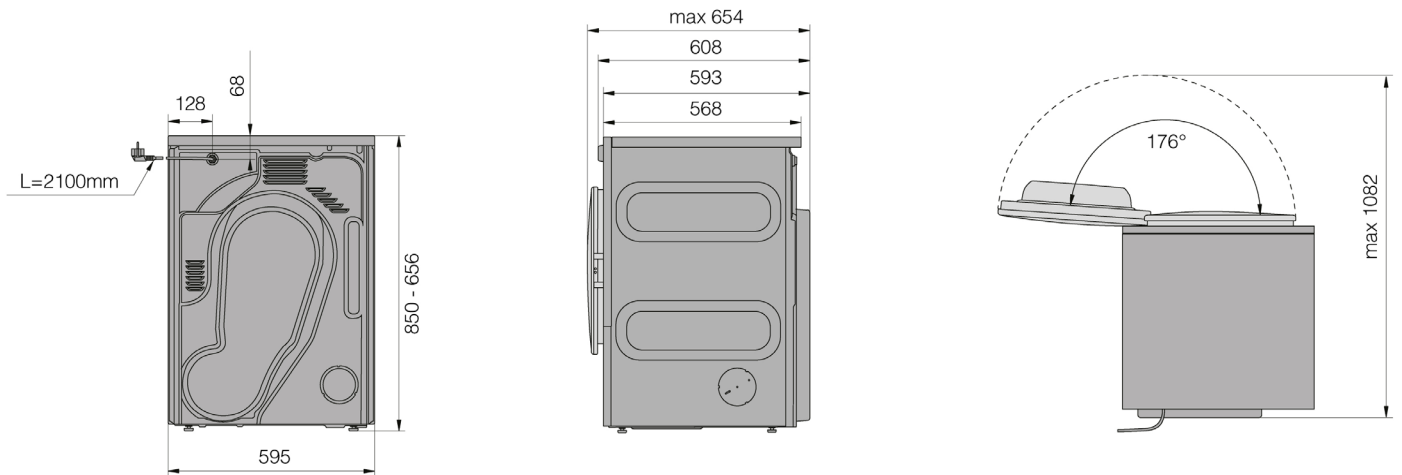
TDC1485VI.S Vented Tumble Dryer

Dimensions
Dimensions (H x W x D): 850 x 595 x 769mm
Packaging dimensions: 920 x 640 x 838mm
Net weight: 43.2kg
Gross weight: 47.8kg
Adjustable feet: 15mm
Depth with door open: 1,165mm

Operations
Controls: Electronic
Language: CN, HR, CZ, DK, NL, EN, EE, FI, FR, DE, IT, JP, LV, LT, NO, PL, RU, SK, SL, ES, SE
Number of programmes: 17

Energy information
Power consumption in standby mode: 0.8W
Power consumption: 4.6kWh
Noise level: 66 dB(A)re 1pW
Left-on mode duration: 5min
Estimated annual energy consumption: 551kWh

Programmes		
Auto extra, normal temperature	Auto ironing (by hand), normal temperature	Time 80 min
Auto extra, low temperature	Auto ironing (by hand), low temperature	Time 60 min
Auto wiper, normal temperature	Auto (machine ironing), normal temperature	Time 40 min
Auto wiper, low temperature	Auto (machine ironing), low temperature	Time 20 min
Auto normal, normal temperature	Mixed dry	Weathering 60 min
Auto normal, low temperature	Mixed iron dry	



DC Products

Unit 25 Lodge Hill Industrial Park, Westbury Sub Mendip, Somerset, BA5 1EY

t: 01749 870055 e: sales@dcproducts.co.uk w: www.laundry.dcproducts.co.uk

