



in association with



Inspired by Scandinavia

# WMC6742

## Washing Machine



Kg Load



Steel Seal™



Active Drum™



G-Factor



Super Quick Wash 60°C

### Quick Overview

- Load capacity: 7kg; Drum size: 60L
- Maximum spin speed: 1400 rpm
- Finish: Titanium effect
- 26 programmes
- Connection: 230V / 1ph / 10A / 50Hz / 2kW
- Electrical reconfiguration: No
- Pump and valve drain system machines available
- Prepared for Auto Dosing: No
- WiFi for ConnectLife: No
- Prepared for payment systems (coin, card and AIRwallet): No
- Tested over 30,000 cycles



Construction
<b>Operating position:</b> Front-operated
<b>Capacity:</b> 7kg
<b>Drum volume:</b> 60L
<b>Door opening:</b> 31cm
<b>Door opening angle:</b> 180°
<b>Door opening:</b> Left hinge
<b>Material:</b> Stainless steel
<b>Base plate:</b> Waterproof with flood sensor

Electrics
<b>Connection power:</b> 2,200W
<b>Fuse:</b> 10A
<b>Electrical connection:</b> 220-240V
<b>Frequency:</b> 50Hz
<b>Length of power cable:</b> 2.1m
<b>Phases:</b> 1

Connection of water/drain
<b>Cold and hot water connection:</b> Size 3/4" (adapter 1/2" included)
<b>Inlet hose:</b> PEX inlet hose, able to withstand 10 bar at 95°C (tested to over 50 years)
<b>Drainage capacity:</b> 20l/min
<b>Drain system:</b> Drain valve or pump available

Dimensions
<b>Dimensions (H x W x D):</b> 850 x 595 x 591mm
<b>Packaging dimensions:</b> 920 x 640 x 661mm
<b>Net weight:</b> 76.5kg
<b>Gross weight:</b> 79.7kg
<b>Adjustable feet:</b> 10mm
<b>Depth with door open:</b> 965mm
<b>Inlet hose, length:</b> 1,500mm
<b>Inlet hose:</b> 1,600mm

# WMC6742 Washing Machine

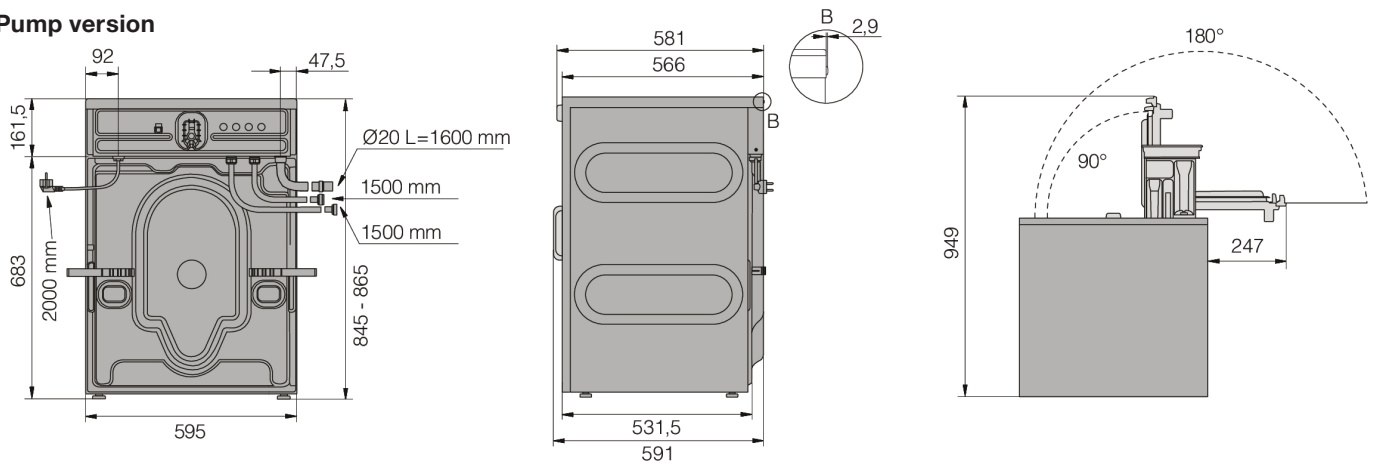
Functions
<b>Detection and automatic correction of imbalance in the drum:</b> Yes
<b>Flood protection:</b> Yes
<b>Delayed start:</b> Yes, up to 100 hours
<b>Possible to connect and control via WIFI:</b> No
<b>Overheating protection:</b> For motor and electronics

Performance
<b>Residual humidity:</b> 49%
<b>Heater power:</b> 2,000W
<b>Temperature range:</b> Cold - 90°C

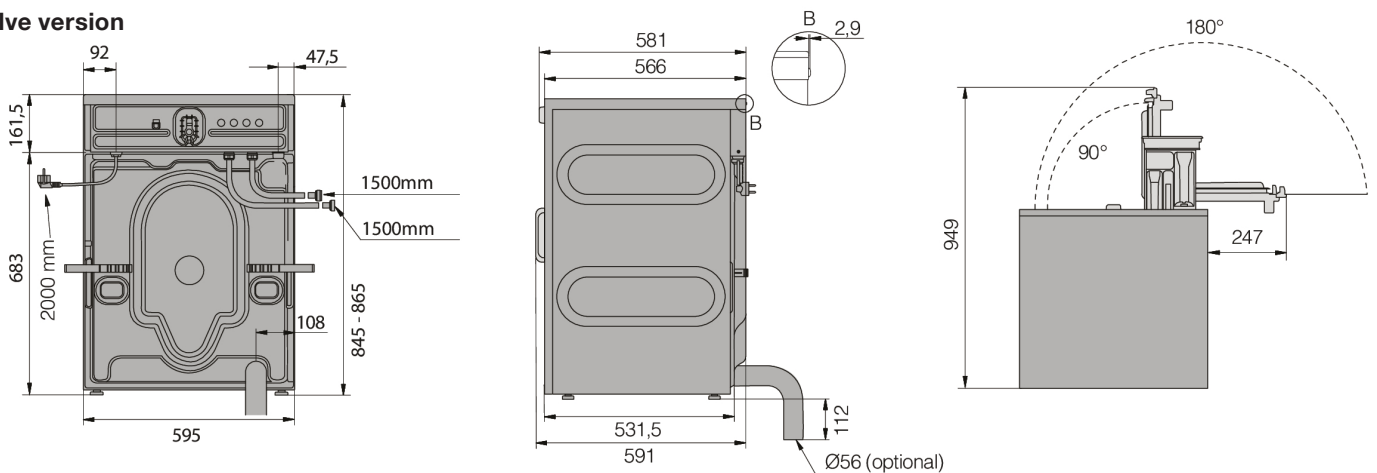
Operations
<b>Display type:</b> TFT display
<b>Language:</b> CN, HR, CZ, DK, NL, EN, EE, FI, FR, DE, IT, JP, LV, LT, NO, PL, RU, SK, SL, ES, SE
<b>Detergent dispenser:</b> Three compartment dispenser

Programmes		
Allergy cotton 60°C	White/Coloured wash 60°C Professional	Wool and hand wash 40°C
Allergy cotton 90°C	White/Coloured wash 40°C Professional	MOP wash 60°C
Allergy synthetics 60°C	Quick 60°C Professional	MOP wash 90°C
Drum cleaning	Quick 40°C Professional	Microfibre 40°C
Allergy synthetics 40°C	White/colour 20 °C	Microfiber wash 60°C
Eco 40-60 °C	Synthetic wash 40°C Professional	Disinfection 60°C
Rough wash 90°C	Drain	Disinfection 40°C
Rough wash 60°C	Spin	Disinfection 90°C
White wash 90°C Professional	Rinse	

## Pump version



## Valve version



## DC Products

Unit 25 Lodge Hill Industrial Park, Westbury Sub Mendip, Somerset, BA5 1EY

t: 01749 870055 e: sales@dcproducts.co.uk w: www.laundry.dcproducts.co.uk